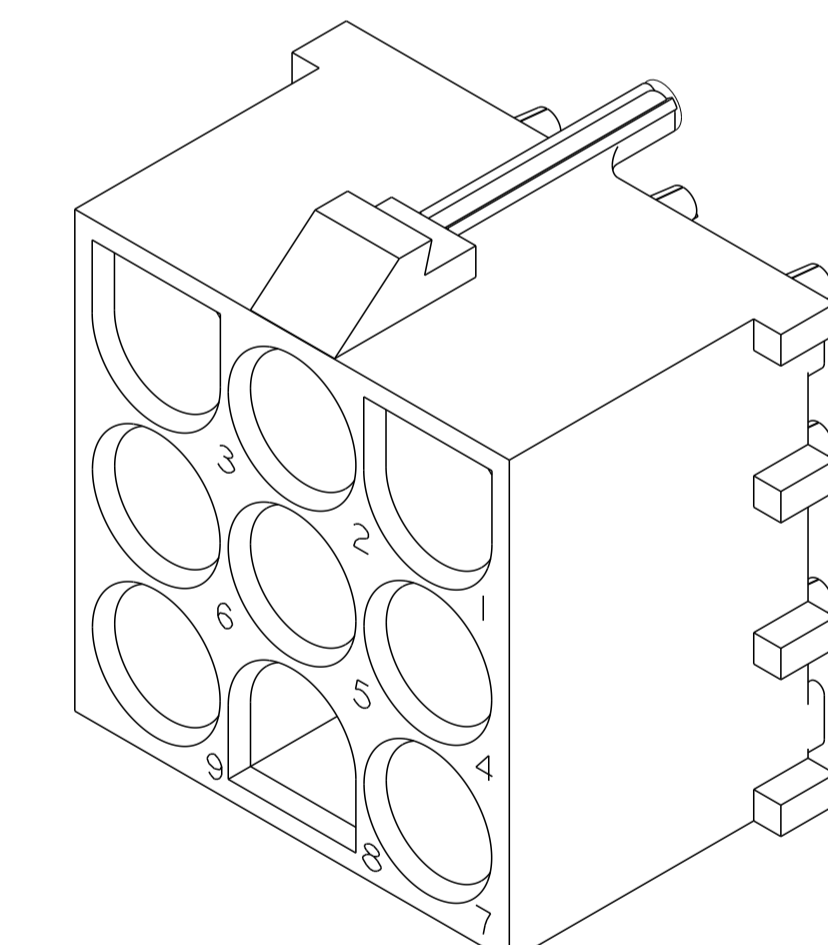
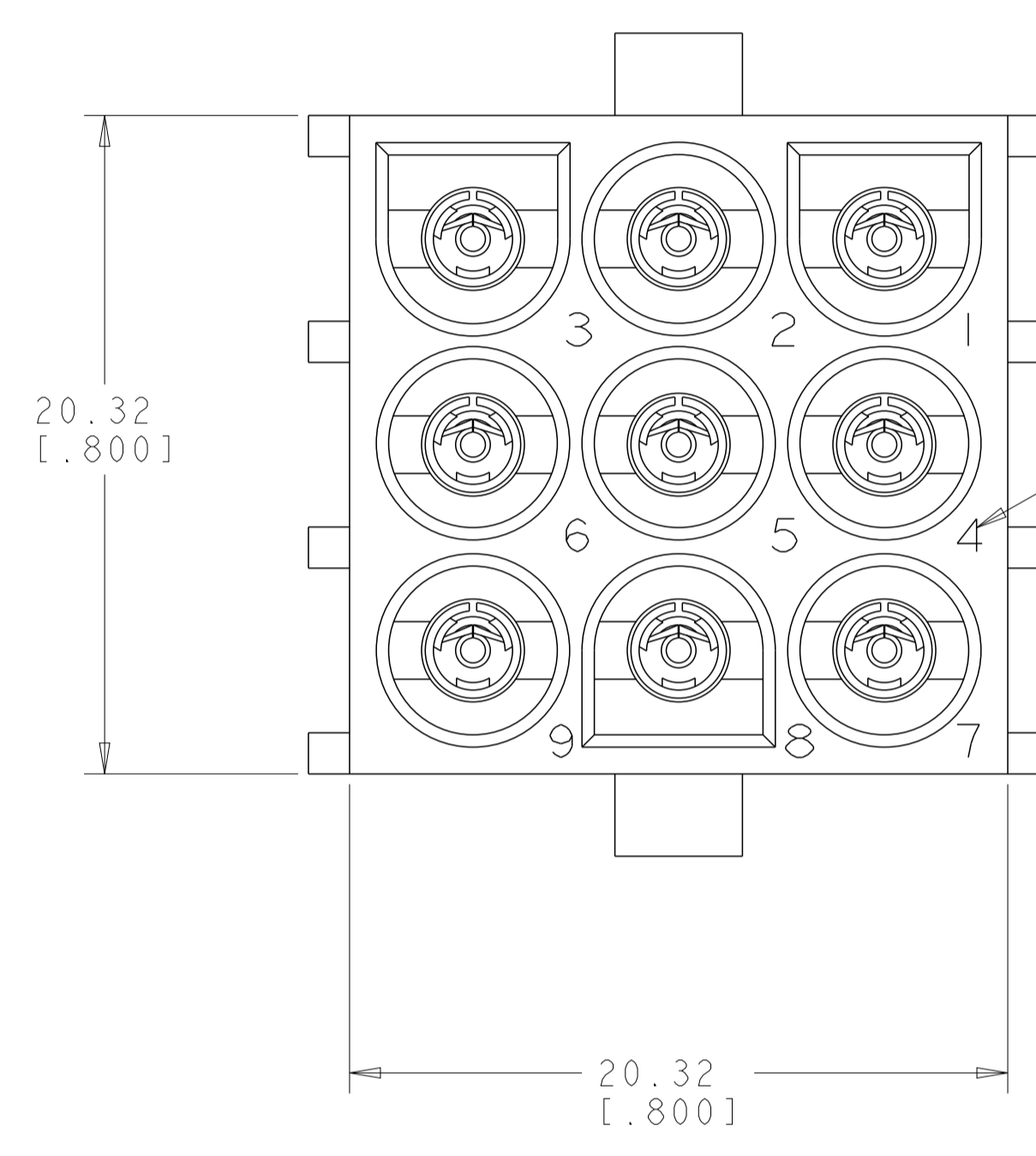
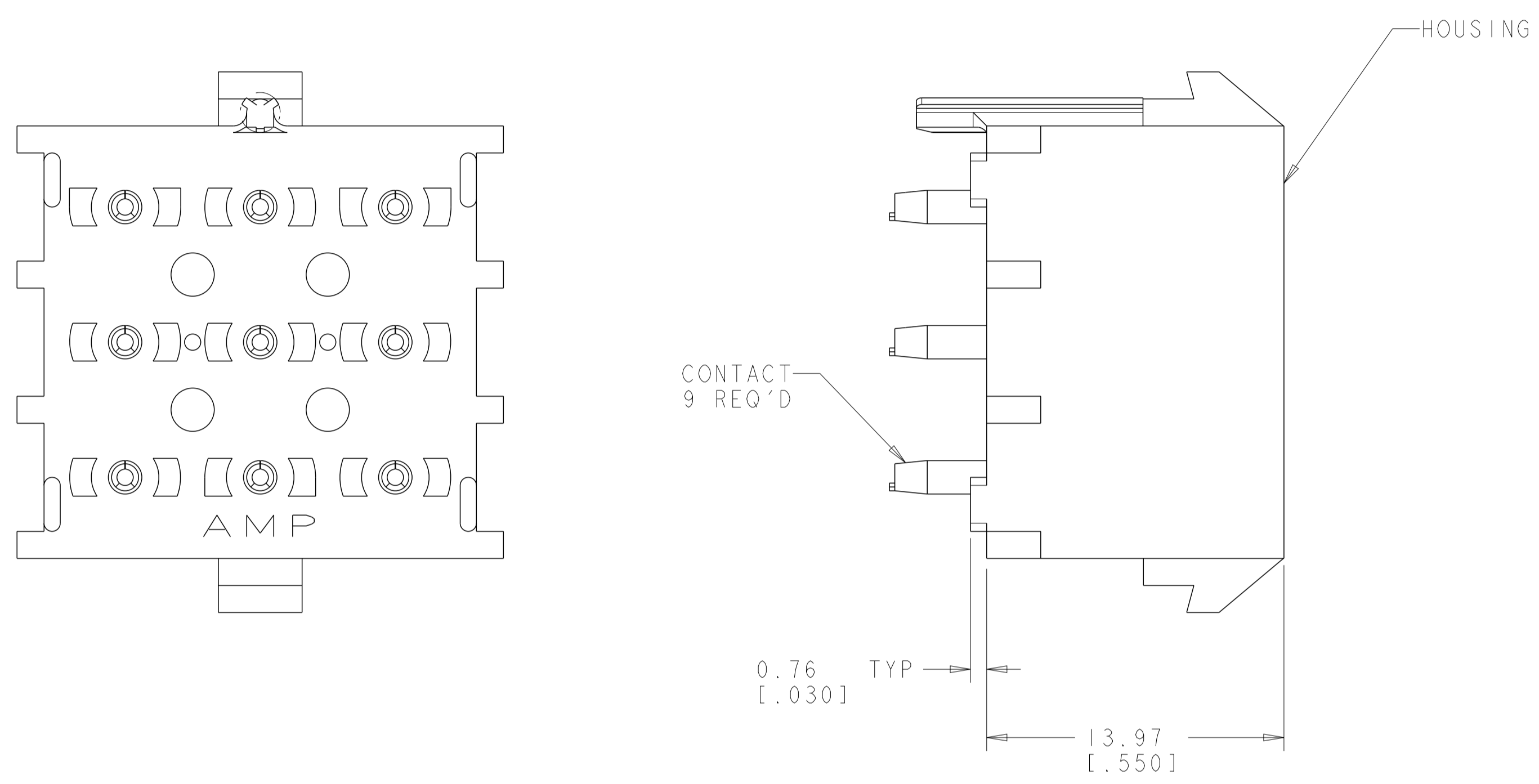
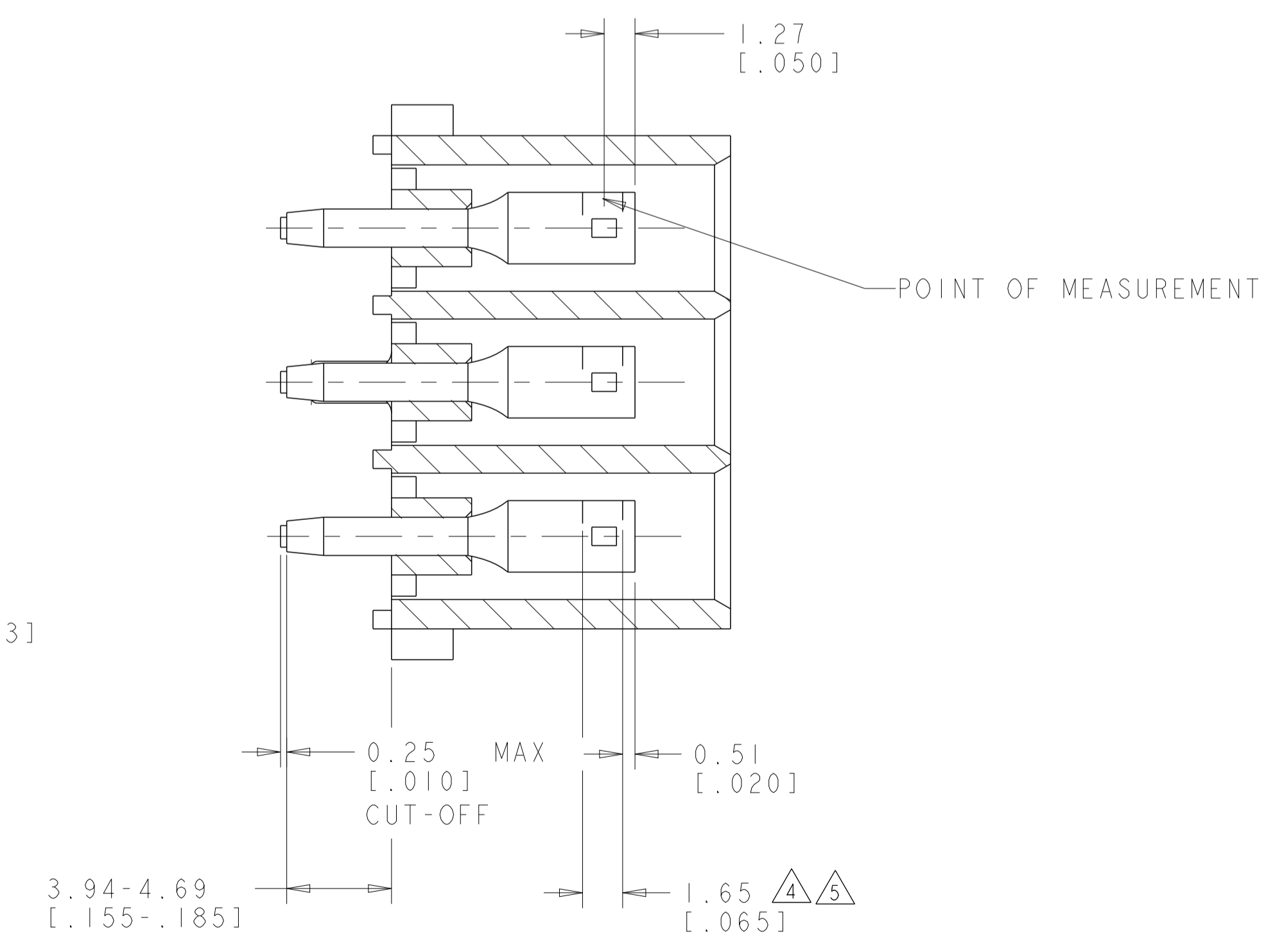
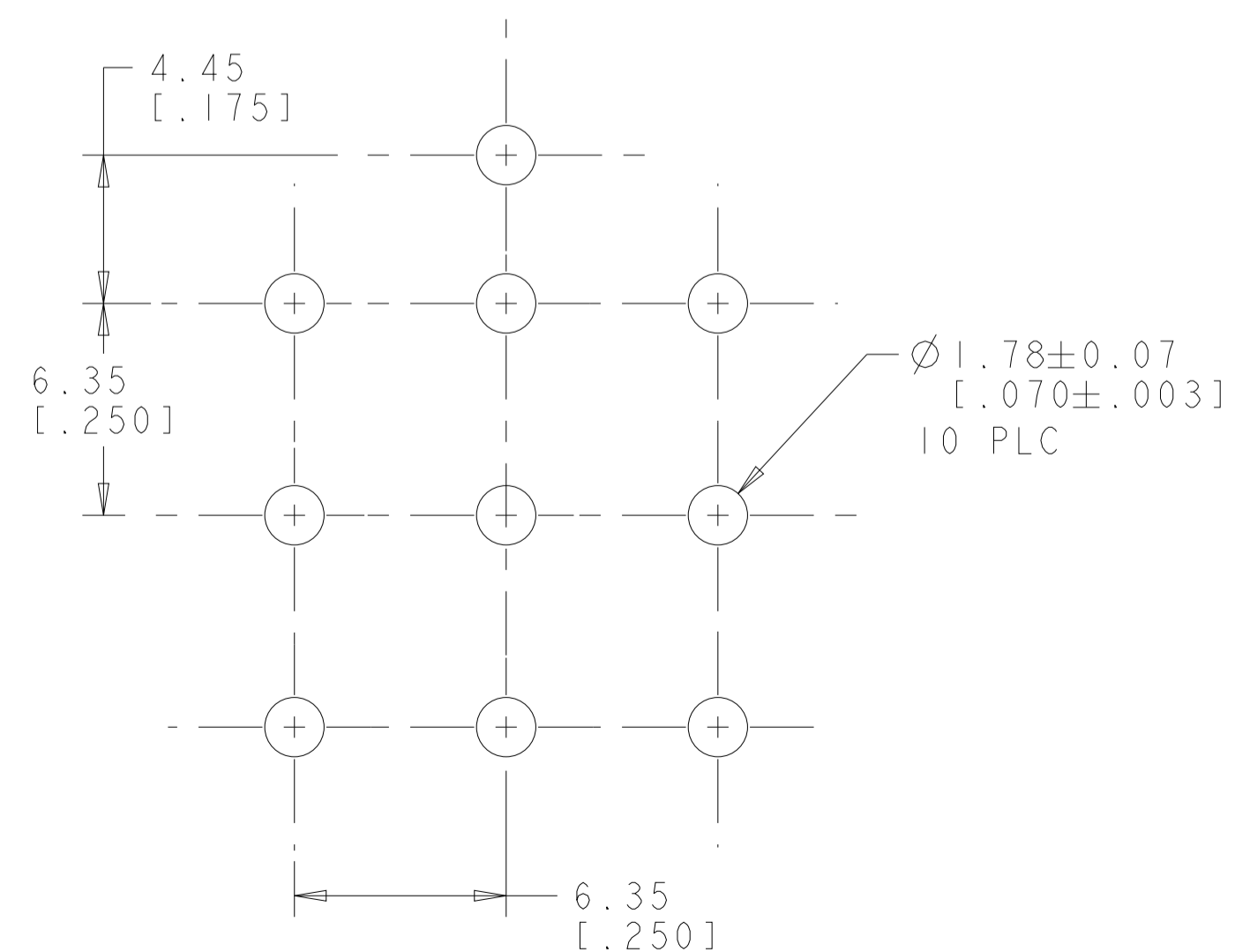


LOC		DIST		REVISIONS			
CM	00	P	LTN	DESCRIPTION	DATE	DWN	APVD
		L1		REVISED PER ECR-12-011660	04FEB2013	KH	TM

1. PARTS COMPLY TO AMP SOLDERABILITY SPECIFICATION 109-11-3.
2. CIRCUIT IDENTIFICATION CHARACTERS ARE ADJACENT TO THE INDICATED CAVITIES, BUT LOCATION AND ORIENTATION MAY DIFFER FROM PRINT.
3. DIMENSIONS IN BRACKETS ARE IN INCHES.
4. CONTACT IS STAMPED FROM PRE-PLATED STOCK WHICH IS PLATED OVERALL WITH 0.00127 [.000050] NICKEL; THEN STRIPED WITH 0.0076 [.000030] GOLD IN CONTACT AREA INDICATED AND MATTE TIN LEAD ON SOLDER TAIL END.
5. CONTACT IS STAMPED FROM PRE-PLATED STOCK WHICH IS PLATED OVERALL WITH 0.00127 [.000050] NICKEL; THEN STRIPED WITH 0.0076 [.000030] GOLD IN CONTACT AREA INDICATED AND MATTE TIN ON SOLDER TAIL END.
6. SUPERSEDED BY 643426-3



3 DIMENSIONAL MODEL
SCALE 4:1



PIN CONTACT MATERIAL AND FINISH	HOUSING MATERIAL	PART NUMBER
PHOSPOR BRONZE, GOLD ⁵	NYLON, UL94V-0	643426-3
PHOSPOR BRONZE, GOLD ⁴	NYLON, UL94V-0	643426-2
PHOSPOR BRONZE, PRE-TIN	NYLON, UL94V-0	643426-1

RECOMMENDED MOUNTING HOLE PATTERN FOR 1.57 [.062] THICK P.C. BOARD

THIS DRAWING IS A CONTROLLED DOCUMENT.		DWN: 29-JUL-2003	TE Connectivity	
DIMENSIONS: mm [INCHES]		CHK: H. WHITAKER 29-JUL-2003	NAME: HEADER ASSEMBLY, SOCKET, POLARIZED, 9 CIRCUIT, UNIVERSAL MATE-N-LOK™	
TOLERANCES UNLESS OTHERWISE SPECIFIED:		APVD: S. RIDGILL 29-JUL-2003	SIZE: A100779	
0 PLC ±	1 PLC ±	PRODUCT SPEC	CAGE CODE: 643426	
2 PLC ±0.131(.005)	3 PLC ±	APPLICATION SPEC	SCALE: 5:1	
4 PLC ±	ANGLES: 40°/30°	WEIGHT	SHEET 1 OF 1	
MATERIAL: SEE TABLE	FINISH: SEE TABLE	CUSTOMER DRAWING	REV: L1	